

Product Specification Sheet

Accent LED Beamshaper



The Selecon Accent LED Beamshaper delivers accurate shaping of the beam and precise pattern / logo projection.

A sophisticated lighting instrument of timeless appearance.

The Accent LED BeamShaper delivers on Selecon's brand promise for performance (efficient optical system; high quality pattern projections); precision (accurate beam shaping; locking focus adjustments) and simplicity (intuitive operation).

Allen key lock offs and reference scales for all adjustments offers the means to effectively assure the integrity of the original lighting design.

Features

High quality zoom optical system (24 ° -39 °).

High CRI fixed white delivers excellent colour rendering.

Improved beam control and zoom adjustment.

Reference scales for pan/tilt and zoom adjustments.

Improved gobo installation and projection.

Easy mount E size pattern holder included with every luminaire.

Superior glare control and no light spill.

Four captive shaping shutters with integrated shutter lock system.

Hinged opening body for easy cleaning of lenses.

Multiple/integrated accessory and filter mounting slots – to carry colour filter 50mm round, one of which can be up to 4mm thick..

Engineered from precision aluminium pressure die-castings and injection moulded engineering plastic.

Three year limited warranty.

Colours



Black White

White - PANTONE® 11-4800 - Blanc de Blanc.

Mounting options

Universal track three circuit track adapter.

Ceiling mount plate, ridged 80mm diameter x 20mm deep.

1.0m cable tail from top of yoke mount spindle.

Half coupler for 48/51mm OD pipe.



Ceiling rose mount



Track Adapter



Half Coupler

Control Options

-Local Dimming – non dimmed mains supply.

-Dali Dimming – non dimmed mains supply.

Dimming performance of LED Sources can vary greatly on different dimming systems. 100% compatibility cannot be guaranteed.

Wattage / Power Supply

13W / 220-240V

Colour Temperature / Life¹

Choice of 2700K, 3000K, or 4000K / 50,000hrs

CRI² / Colour Consistency

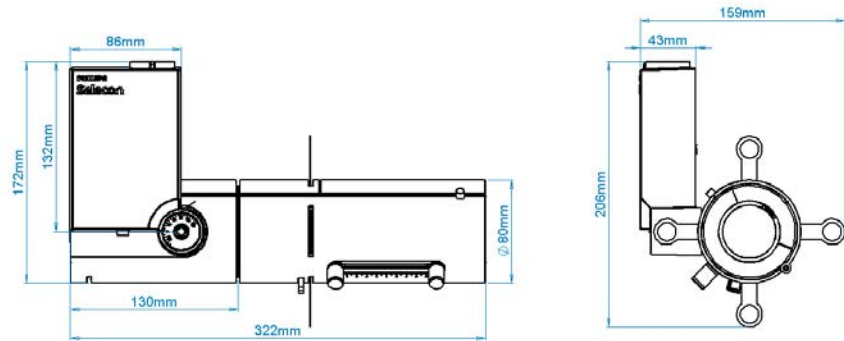
95 typical, Within 2-Step MacAdam Ellipse

Approvals



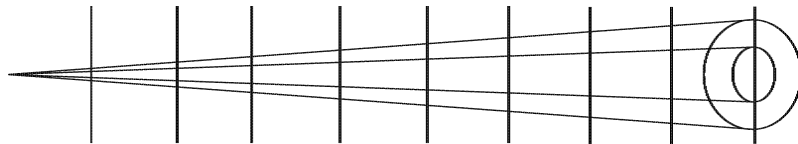
Physical Data

Weight: 1.95 kg



Performance Data

Accent LED BEAMSHAPER 24°-39°:



METRES	3	4	5	6	7	8	9	10
	Central illumination in Lux							
at 24°	237	134	85	59	43	33	26	21
at 39°	103	58	37	25	18	14	11	9

3000K version

Order Codes

2 – 2700K

3 – 3000K

4 – 4000K

LD – Local Dim – non-dimmed mains input

DD – Dali Dim – non-dimmed mains input *(not available with Ceiling Rose, Half Coupler, or Flex mount)*

H – 50mm Halfcoupler and 1.0m cable

C – Ceiling Rose

G – Global track adaptor – standard option for track mount. Dali or local control

T – Eutrack adaptor – non-standard option for track mount. Dali or local control.

E – eDali Track adaptor – custom adaptor for three circuit track – for installations using Dali on standard track. Please contact your sales representative.

01 – White

03 – Black

P – Aust / NZ plug

Family Name	Light Source	Colour Temp	Beam Angle	Control Option	Mounting Option	Paint Finish	Aust/NZ Plug
ACNT	LED	2	BS		H	01	P
		3		LD	C	03	
		4		DD*	T		
					G		
					E		
					F		

IE: ACNTLED4BSLDG03 = Accent LED Beamshaper, 4000K, Local Dimming, Global Track Adaptor , Black Finish.

** DALI Dimming version only available with Track adaptor Mounting (T,G,E)*

Accessories

Various glass effects and coloured glass can be used with the Accent LED Beamshaper. Please contact your Selecon dealer for full details.

Pattern size: E

Outside diameter: 37.5cm

Image area: 28mm

To achieve the best results with your pattern projection:

- always use black matt finish patterns as these reduce internal light reflections.
- for custom / text logos please ensure the design is inside the 28mm diameter area.

1. Based on LED Manufacturers IES LM-80-2008
2. LED manufacturer tolerance of +2 on CRI measurements

Selecon reserves the right to change this product specification without notice (October 2015).