

Product Specification Sheet Selecon Display LED Profile



The Selecon Display LED Profile delivers accurate shaping of the beam and precise pattern / logo projection.

A sophisticated lighting instrument of timeless appearance.

The Display LED Profile delivers on Selecon's brand promise for performance (efficient optical system; high quality pattern projections); precision (accurate beam shaping; locking focus adjustments) and simplicity (intuitive operation).

Allen key lock offs and reference scales for all adjustments offers the means to effectively assure the integrity of the original lighting design.

Colours



White - PANTONE® 11-4800 - Blanc de Blanc.

Weight - 2.94 kgs

Features

High light output for a LED luminaire of this size.

Condenser optics provide a very flat beam distribution ideal for pattern projection and precise illumination.

Engineered from precision aluminium pressure die-castings.

Two zoom optical systems: 16°–35° and 30°–50°.

All adjustable parameters are lockable using allen key tool, including:

- Pan and tilt
- Rotatable lens tube - +/- 45°
- Zoom lens adjustments

Reference scales for all adjustments.

Internal pattern holder with external image alignment.

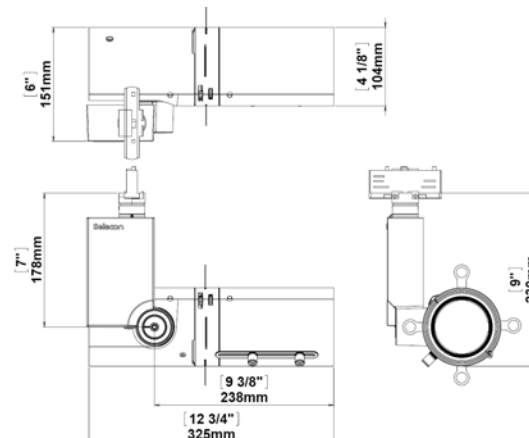
Shutters can be locked in position.

Two front accessory slots for 93mm diameter coloured and UV glass filters; plastic filter holder.

User made transparency film gobos can be used.

Comes with Selecon's three year warranty.

Physical Data



Mounting Options

Universal track three circuit track adapter.

Ceiling mount plate, ridged 80mm diameter x 20mm deep.

Half Coupler with 1.0m cable tail, with or without ANZ Plug



Control Options

Local Dimming - non dimmed mains supply.

Dali Dimming – non dimmed mains supply.

Wattage / Power Supply
41W / 220 – 240V

Colour Temperature / Life¹
Choice of 2700K, 3000K, or 4000K / 50,000hrs

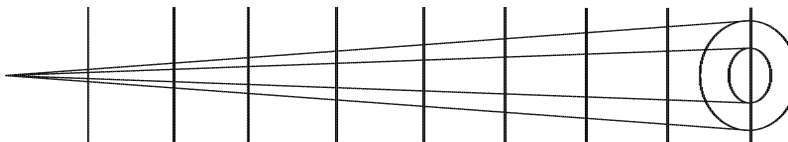
CRI² / Colour Consistency
95 typical, Within 2-Step MacAdam Ellipse

Approvals

CE and C-Tick.

Performance Data

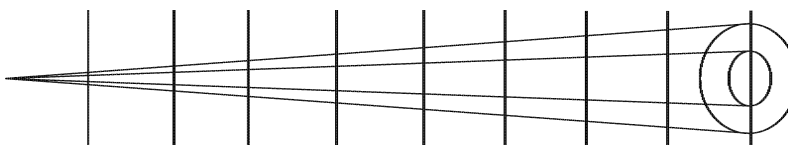
SDP 16°-35° 'M' model:



METRES	3	4	5	6	7	8	9	10
	Central illumination in Lux							
at 16°	1794	1009	646	448	329	252	199	161
at 35°	573	322	206	143	105	80	63	51

3000K version

SDP 30°-50° 'W' model:



METRES	3	4	5	6	7	8	9	10
	Central illumination in Lux							
at 30°	837	471	301	209	153	117	93	75
at 50°	363	204	130	90	66	51	40	32

3000K version

Order Codes

SDP – family name
 LED – Light source
 2 – 2700 K Colour Temperature
 3 – 3000 K Colour Temperature
 4 – 4000 K Colour Temperature
 M – medium beam angle range
 W – wide beam angle range
 LD – Local Dim – non-dimmed mains input
 DD – Dali Dim – non-dimmed mains input (*not available with Ceiling Rose, Half Coupler, or Flex mount*)
 H – 50mm Halfcoupler and 1.0m cable
 C – Ceiling Rose
 G – Global track Adaptor – standard option for track mount. Dali or local control
 T – Eutrack track adaptor – non-standard option for track mount. Dali or local control
 E – eDali track adaptor – custom adaptor for three circuit track – for installations using Dali on standard track. Please contact your sales representative.
 01 – White
 03 – Black
 P – Aust / NZ plug

Family Name	Light Source	Colour Temp	Beam Angle	Control Option	Mounting Option	Paint Finish	Aust/NZ Plug
SDP	LED	2	M	DD*	H	01	P
		3	W	LD	C	03	
		4			G		
					T		
					F		
					E		

IE: SDPLED4WLDG03 = SDPLED Wide Beamshaper, 4000K, Local Dimming, Global Track Adaptor , Black Finish.

* **DALI Dimming version only available with Track adaptor Mounting (T,G,E)**

Accessories

SDPCF Colour frame for plastic filters.
 SDPGOBOASSY Spare pattern holder - complete two piece assembly.
 SDPSDG Medium diffusion glass.
 ARLAKTOOL Allen key hand tool for Selecon display luminaires.

Pattern size: E
 Outside diameter: 37.5cm
 Image area: 28mm

To achieve the best results with your pattern projection:
 - always use black matt finish patterns as these reduce internal light reflections.
 - for custom / text logos please ensure the design is inside the 28mm diameter area.

Selecon reserves the right to change this product specification without notice (October 2015).