

## Product Specification Sheet Selecon Display LED Profile



**The Selecon Display LED Profile delivers accurate shaping of the beam and precise pattern / logo projection.**

A sophisticated lighting instrument of timeless appearance.

The Display LED Profile delivers on Selecon's brand promise for performance (efficient optical system; high quality pattern projections); precision (accurate beam shaping; locking focus adjustments) and simplicity (intuitive operation).

Allen key lock offs and reference scales for all adjustments offers the means to effectively assure the integrity of the original lighting design.

### Colours



White - PANTONE® 11-4800 - Blanc de Blanc.

Weight - 2.94 kgs

### Features

High light output for a LED luminaire of this size.

Condenser optics provide a very flat beam distribution ideal for pattern projection and precise illumination.

Engineered from precision aluminium pressure die-castings.

Two zoom optical systems: 16°–35° and 30°–50°.

All adjustable parameters are lockable using allen key tool, including:

- Pan and tilt
- Rotatable lens tube - +/- 45°
- Zoom lens adjustments

Reference scales for all adjustments.

Internal pattern holder with external image alignment.

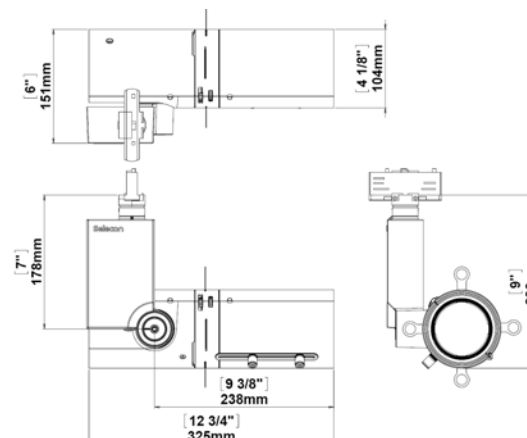
Shutters can be locked in position.

Two front accessory slots for 93mm diameter coloured and UV glass filters; plastic filter holder.

User made transparency film gobos can be used.

Comes with Selecon's three year warranty.

### Physical Data



### Mounting Options

Universal track three circuit track adapter, Global & Eutrac. DALI Track Options.

Ceiling rose mount, ridged 80mm diameter x 20mm deep.

Half Coupler with 1.0m cable tail, with or without ANZ Plug



### Control Options

Local Dimming - non dimmed mains supply.

Dali Dimming – non dimmed mains supply.

CASAMBI - non dimmed mains supply.

#### Wattage / Power Supply

41W / 220 – 240V

#### Colour Temperature / Life<sup>1</sup>

Choice of 2700K, 3000K, or 4000K / 50,000hrs

CRI<sup>2</sup> / Colour Consistency

95 typical, Within 2-Step MacAdam Ellipse

### Approvals

CE and C-Tick.

---

## Order Codes

---

SDP – family name

LED –. Light source

2 – 2700 K Colour Temperature

3 – 3000 K Colour Temperature

4 – 4000 K Colour Temperature

M – medium 16-35° beam angle range

W – wide 30-50° beam angle range

LD – Local Dim – non-dimmed mains input

DD – Dali Dim – non-dimmed mains input (*not available with Ceiling Rose, Half Coupler, or Flex mount*)

CA- CASAMBI Dimming Control

H – 50mm Halfcoupler and 1.0m cable

C – Ceiling Rose

G – Global track Adaptor – standard option for track mount. Dali or local control

T – Eutrack track adaptor – non-standard option for track mount. Dali or local control

E – eDali track adaptor – custom adaptor for three circuit track – for installations using Dali on standard track. Please contact your sales representative.

01 – White

03 – Black

P – Aust / NZ plug

Family Name	Light Source	Colour Temp	Beam Angle	Control Option	Mounting Option	Paint Finish	Aust/NZ Plug
SDP	LED	2	M	DD*	H	01	P
		3	W	LD	C	03	
		4		CA	G		
					T		
					F		
					E		

---

IE: SDPLED4WLDG03 = SDPLED Wide Beamshaper, 4000K, Local Dimming, Global Track Adaptor , Black Finish.

\* **DALI Dimming version only available with Track adaptor Mounting (T,G,E)**

---

## Accessories

---

SDPCF                      Colour frame for plastic filters.  
SDPGOBOASSY          Spare pattern holder - complete two piece assembly.  
SDPSDG                    Medium diffusion glass.  
ARLAKTOOL              Allen key hand tool for Selecon display luminaires.

Pattern size: E  
Outside diameter: 37.5cm  
Image area: 28mm

To achieve the best results with your pattern projection:

- always use black matt finish patterns as these reduce internal light reflections.
- for custom / text logos please ensure the design is inside the 28mm diameter area.

Selecon reserves the right to change this product specification without notice (October 2020).