

## Product Specification Sheet

# Accent LED High Power BeamSpot



**The Selecon Accent High Power LED Beamspot is a specialist lighting tool for display, art gallery, museum and commercial lighting applications.**

**Utilising high quality fixed white LED source, the luminaire provides excellent light control and features.**

With several accessories available, including Beam shaper Module, Barndoor and Snoot, the Accent HP Beamspot retains the versatility that made the Aureol Beamspot a global industry standard for display lighting applications.

The Accent Beamspot delivers on Selecon's brand promise for performance (efficient optical system), precision (accurate beam shaping, locking focus adjustments), and simplicity (intuitive operation).

### Features

LED-Fixed optical system: 10°, filters to adjust beam angles. Beamshaper module to allow framing.

High CRI fixed white delivers excellent colour rendering.

Hinged opening body for easy cleaning and tool free accessory mounting.

Superior glare control and no light spill.

Multiple accessory slots with safety retention system.

Engineered from aluminium pressure die castings and injected moulded engineering plastic.

Positive pan and tilt adjustment, with Allen key lock off.

Reference scales for pan/tilt adjustments.

Integrated accessory and filter mounting slots – to carry colour filter 50mm round, one of which can be up to 4mm thick, diffuser, anti-glare snoot, barn-door and Beamshaper Module.

Five year limited warranty.

### Colours



**Black**      **White**

White - PANTONE® 11-4800 - Blanc de Blanc.

### Mounting Options

Universal track three circuit track adapter, Global or Eutrac. DALI Track Options.

Ceiling rose mount, ridged 80mm diameter x 20mm deep.

Half coupler with 1.0m cable tail, with or without ANZ plug.



Ceiling rose mount



Track adapter



Half Coupler

### Control Options

- Local Dimming – non dimmed mains supply.
- Dali Dimming – non dimmed mains supply.
- CASAMBI Dimming Control.
- Dimming performance of LED Sources can vary greatly on different dimming systems. 100% compatibility cannot be guaranteed.

**Wattage / Power Supply**  
20W / 220-240V

**Colour Temperature / Life<sup>1</sup>**  
Choice of 2700K, 3000K, or 4000K / 50,000hrs

**CRI<sup>2</sup> / Colour Consistency**  
98 typical, Within 2-Step MacAdam Ellipse

### Approvals



## Order Codes

2 – 2700K

3 – 3000K

4 – 4000K

1 – 10 Degree

LD – Local Dim – non-dimmed mains input

DD – Dali Dim – non-dimmed mains input *(not available with Ceiling Rose, Half Coupler, or Flex mount)*

CA - CASAMBI Dimming Control

H – 50mm Halfcoupler and 1.0m cable

C – Ceiling Rose

G – Global track adaptor – standard option for track mount. Dali or local control

T – Eutrack adaptor – non-standard option for track mount. Dali or local control.

E – eDali Track adaptor – custom adaptor for three circuit track – for installations using Dali on standard track. Please contact your sales representative.

01 – White

03 – Black

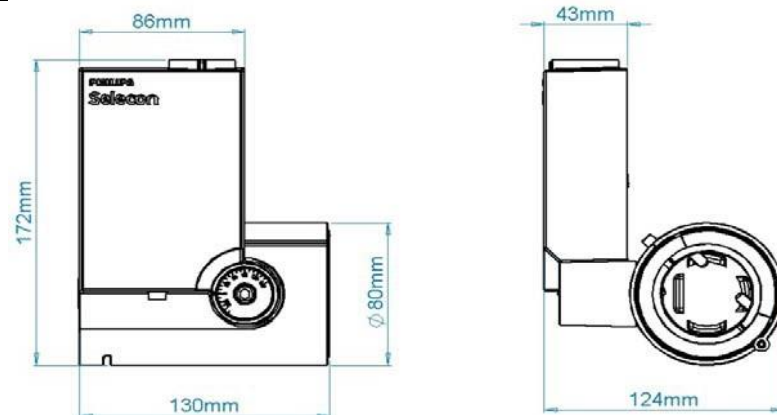
P – Aust / NZ plug

Family Name	Light Source	Colour Temp	Beam Angle	Control Option	Mounting Option	Paint Finish	Aust/NZ Plug
ACNT	LEDHP	2		LD	H	01	P
		3		CA	C	03	
		4		DD	T		
					G		
					E		
					F		

IE: ACNTLEDHP3LDG01 = Accent LED HP 3000K 10° Spot, Local Dimming, Global Tack Adaptor , White Finish

## Physical Data

Weight: 1.1kg



## Accessories

**Beamshaper Module** ACNTLEDBS\*\*

**Barndoor** ARLBD\*\*\*\*

**Snoot** ARLSN\*\*\*\*01 for White, 03 for Black, 0103 for Black/White

1. Based on LED Manufacturers IES LM-80-2008
2. LED manufacturer tolerance of +2 on CRI measurements