

Product Specification Sheet

Accent MR16 LED Beamshaper



The Selecon Accent MR16 LED Beamshaper delivers accurate shaping of the beam and precise framing, pattern / logo projection.

A sophisticated lighting instrument of timeless appearance. Utilising high quality MR16 LED lamp sources.

The Accent MR16 LED Beamshaper Module attaches directly to Accent MR16 Beamspot, reduced inventory costs with spot and framing projector in the same fitting.

The Accent MR16 LED BeamShaper delivers on Selecon's brand promise for performance (efficient optical system; high quality pattern projections); precision (accurate beam shaping; locking focus adjustments) and simplicity (intuitive operation).

Allen key lock offs and reference scales for all adjustments offers the means to effectively assure the integrity of the original lighting design.

Features

Beamshaper Module attaches directly to Accent MR16 Beamspot. Must use 24° MR16 lamp source.

High quality zoom optical system (24° - 39°).

Improved beam control and zoom adjustment.

Reference scales for pan/tilt and zoom adjustments.

Improved gobo installation and projection.

Easy mount E size pattern holder included with every luminaire.

Superior glare control and no light spill.

Four captive shaping shutters with integrated shutter lock system.

Hinged opening body for easy cleaning of lenses.

Multiple/integrated accessory and filter mounting slots – to carry colour filter 50mm round, one of which can be up to 4mm thick..

Engineered from precision aluminium pressure die-castings and injection moulded engineering plastic.

Five year limited warranty.

Colours



Black White

White - PANTONE® 11-4800 - Blanc de Blanc.

Mounting options

Universal track three circuit track adapter, Eutrac and Global. DALI Options.

Ceiling mount plate, ridged 80mm diameter x 20mm deep.

Half coupler for 50mm pipe with 1.0m cable tail with or without ANZ plug.



Ceiling rose mount Track Adapter



Half Coupler

Control Options

-Local Dimming – non dimmed mains supply.

-Casambi Dimming Control.

-Mains Dimmable-Leading & trailing edge.

-DALI Dimming-Non dimmed mains supply. Dimming performance of LED Sources can vary greatly on different dimming systems. 100% compatibility cannot be guaranteed.

Wattage / Power Supply

2-10W / 220-240V

Colour Temperature / Life¹

Choice of 2700K, 3000K, or 4000K / 40,000hrs

CRI² / Colour Consistency

97 typical, Within 2-Step MacAdam Ellipse

Approvals



Order Codes

MR - MR16 LED

LD – Local Dim – non-dimmed mains input

DD- DALI Dimming – non dimmed mains input.

MD- Mains Dimmable-Leading and trailing edge. Consult your sales representative.

CA - CASAMBI Dimming Control

H – 50mm Halfcoupler and 1.0m cable

C – Ceiling Rose

G – Global track adaptor – standard option for track mount. Local control

T – Eutrack adaptor – non-standard option for track mount. Local control.

01 – White

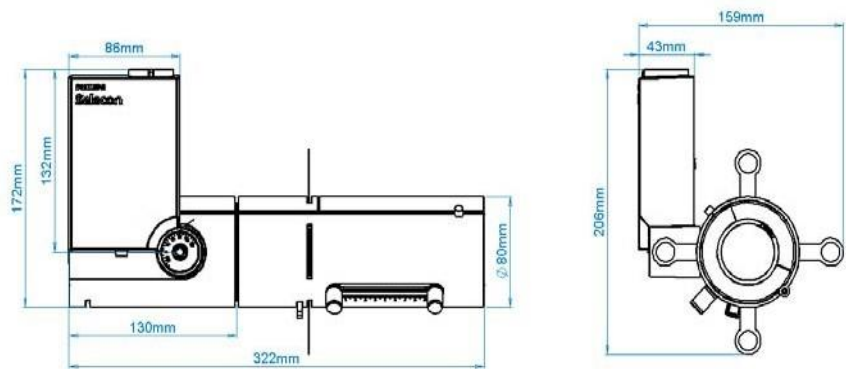
03 – Black

P – Aust / NZ plug

Family Name	Light Source	Colour Temp	Beam Angle	Control Option		Mounting Option	Paint Finish	Aust/NZ Plug
ACNT	MR16	LED	BS	LD		H	01	P
				CA		C	03	
				MD		T		
				DD		G		

IE: ACNTMRLEDBSLDG03 = Accent MR16 LED Beamshaper, Local Dimming, Global Track Adaptor, Black Finish. Lamp supplied with Beamshaper.

Physical Data



Weight 1.95kg.

Accessories

Various glass effects and coloured glass can be used with the Accent LED Beamshaper. Please contact your Selecon dealer for full details.

Pattern size: E

Outside diameter: 37.5cm

Image area: 28mm

To achieve the best results with your pattern projection:

- always use black matt finish patterns as these reduce internal light reflections.
- for custom / text logos please ensure the design is inside the 28mm diameter area.

1. Based on LED Manufacturers IES LM-80-2008

2. LED manufacturer tolerance of +2 on CRI measurements

Selecon reserves the right to change this product specification without notice (October 2022).