

Product Specification Sheet

Accent MR16 LED BeamSpot



The Selecon Accent MR16 LED Beamspot is a specialist lighting tool for display, art gallery, museum and commercial lighting

applications. Utilising high quality MR16 white LED sources, the luminaire provides excellent light control and features.

Available accessories include, Beamshaper Module / Framing module (reduce inventory), Snoot and Barndoor, the Accent MR16 LED retains the versatility that made the Aureol Beamspot a global industry standard for display and gallery lighting applications.

The Accent Beamspot delivers on Selecon's brand promise for performance (efficient optical system), precision (accurate beam shaping, locking focus adjustments), and simplicity (intuitive operation).

Features

MR16 LED Lamps-Four fixed beam angles: 10°, 24°, 36° and 60°. Not included.

Accent MR16 Beamshaper Module (framing accessory) can be added as option. Reduce Inventory 2 in 1 fitting.

Hinged opening body for easy cleaning and tool free accessory mounting.

Superior glare control and no light spill.

Multiple accessory slots with safety retention system.

Engineered from aluminium pressure die castings and injected moulded engineering plastic.

Positive pan and tilt adjustment, with Allen key lock off.

Reference scales for pan/tilt adjustments.

Integrated accessory and filter mounting slots – to carry colour filter 50mm round, one of which can be up to 4mm thick, diffuser ,anti-glare snoot, barn-door and Beamshaper Module.

Five year limited warranty.

Colours



White - PANTONE® 11-4800 - Blanc de Blanc.

Mounting Options

Universal track three circuit track adapter, Global or Eutrac. DALI Track Options.

Ceiling rose mount, ridged 80mm diameter x 20mm deep.

Half coupler with 1.0m cable tail, with or without ANZ plug.



Ceiling rose mount



Track adapter



Half Coupler

Control Options

- Local Dimming – non dimmed mains supply.
- DALI Dimming-Non dimmed mains supply
- Mains Dimmable- Leading & trailing edge.
- CASAMBI Dimming Control.
- Dimming performance of LED Sources can vary greatly on different dimming systems. 100% compatibility cannot be guaranteed.

Wattage / Power Supply

2-10W / 220-240V

Colour Temperature / Life¹

Choice of 2700K, 3000K, or 4000K / 40,000hrs

CRI² / Colour Consistency

97 typical, Within 2-Step MacAdam Ellipse

Approvals



Order Codes

MR - MR16 LED

LD – Local Dim – non-dimmed mains input

DD – Dali Dim – non-dimmed mains input *(not available with Ceiling Rose, Half Coupler, or Flex mount)*

MD- Mins Dimmable-Leading and trailing edge. Contact your sales representative.

CA - CASAMBI Dimming Control

H – 50mm Halfcoupler and 1.0m cable

C – Ceiling Rose

G – Global track adaptor – standard 3cct or DALI options for track mount.

T – Eutrack track adaptor – standard 3CCT or DALI option for track mount.

E – eDali Track adaptor – custom adaptor for three circuit track – for installations using Dali on standard track. Please contact your sales representative.

01–White

03 – Black

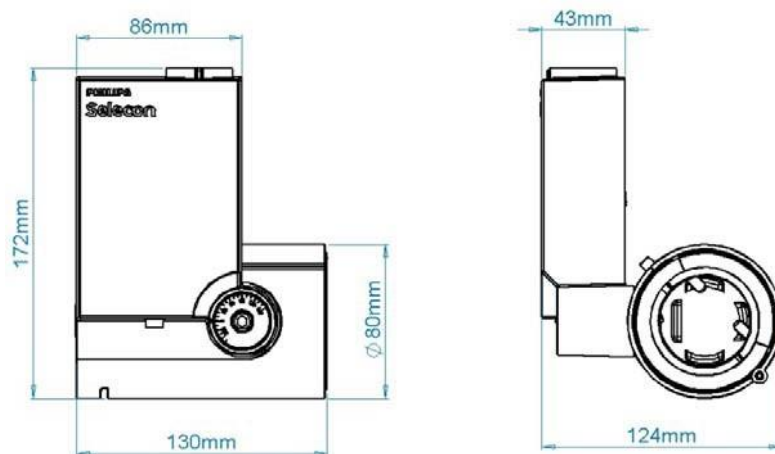
P – Aust / NZ plug

Family Name	Light Source	Colour Temp	Beam Angle	Control Option	Mounting Option	Paint Finish	Aust/NZ Plug
ACNT	MR	LED		LD	H	01	P
				CA	C	03	
				MD	T		
				DD	G		
					E		

IE: ACNTMRLEDLDG01 = Accent LED MR16 Spot, Local Dimming, Global Track Adaptor , White Finish MR16 Lamp Ordered Separately.

Physical Data

Weight: 1.1kg



Accessories

Beamshaper Module ACNTLEDBS** Turns a Beamspot into a Beamshaper fitting.

Barndoor ARLBD****

Snoot ARLSN**** 01 for White, 03 for Black, 0103 for Black/White

1. Based on LED Manufacturers IES LM-80-2008
2. LED manufacturer tolerance of +2 on CRI measurements

Selecon reserves the right to change this product specification without notice (October 2022).